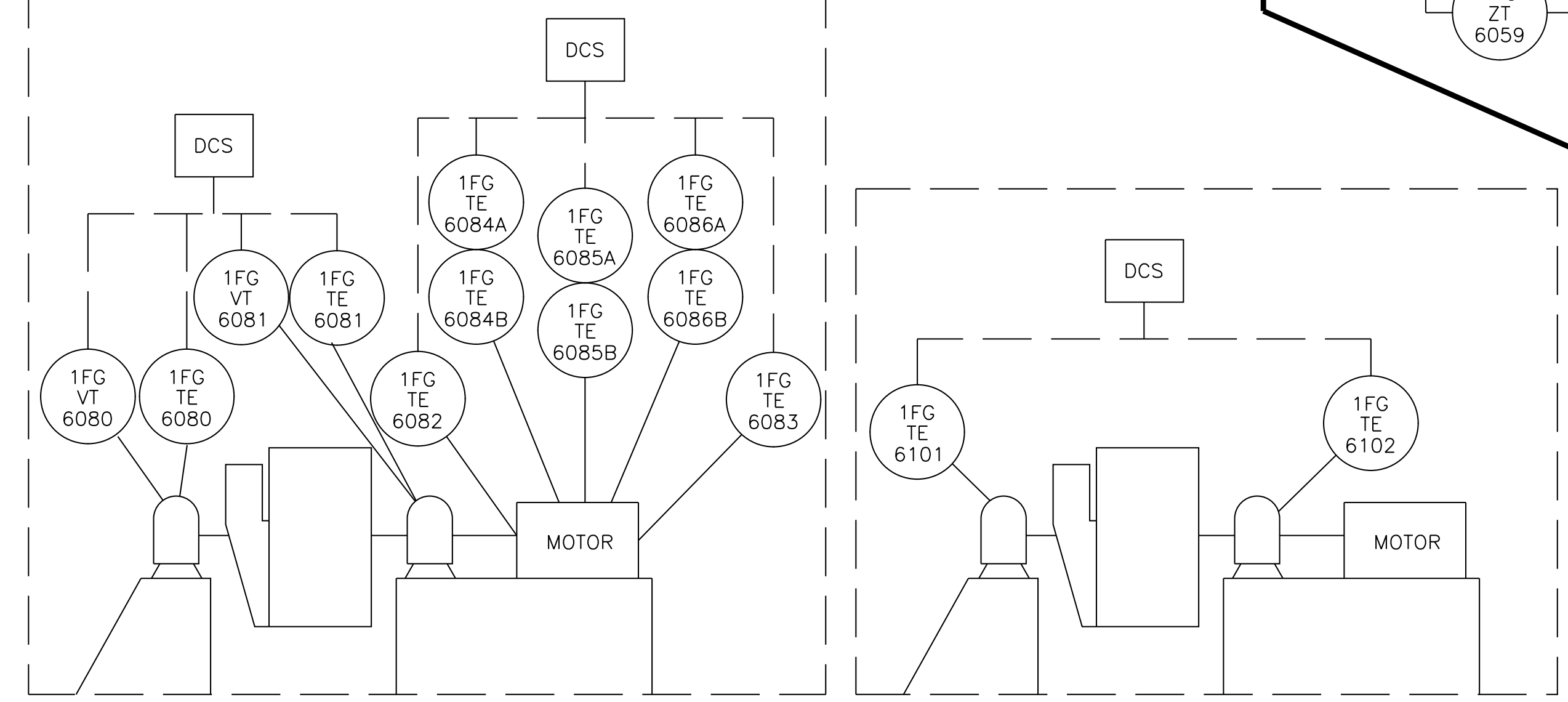
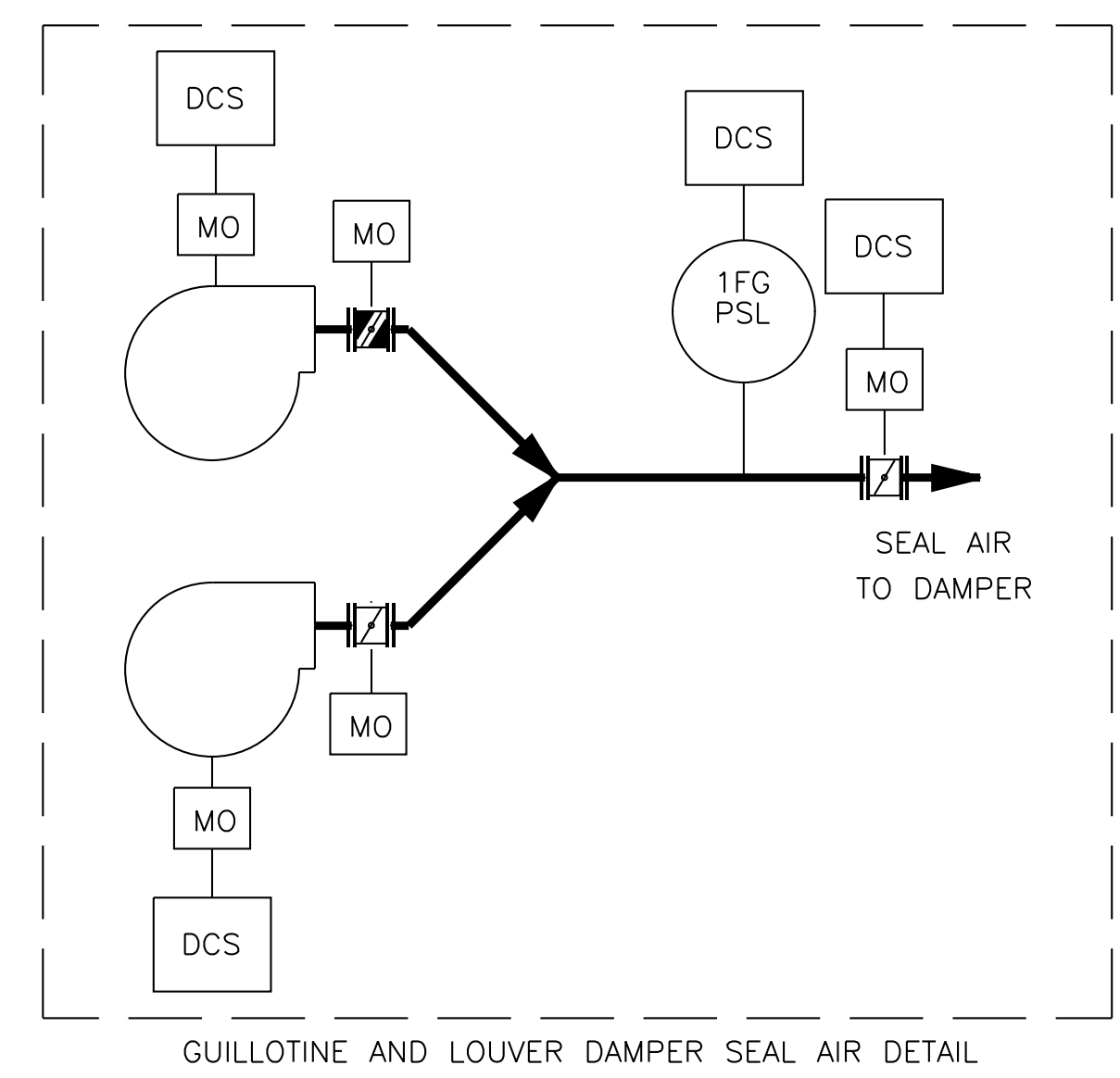


DAMPER SEAL AIR SYSTEM TAGS

DAMPER	SEAL AIR SKID	SEAL AIR FAN A	SEAL AIR FAN B	SEAL AIR A ISOLATION VALVE	SEAL AIR B ISOLATION VALVE	SEAL AIR SKID ISOLATION VALVE	PRESSURE SWITCH
1FG-Y6005	1FG-S6005	1FG-C6002A	1FG-C6002B	1FG-MOV6006A	1FG-MOV6006B	1FG-MOV6007	1FG-PSL6001
1FG-Y6035	1FG-S6035	1FG-C6006A	1FG-C6006B	1FG-MOV6036A	1FG-MOV6036B	1FG-MOV6037	1FG-PSL6002



- NOTES
- TEST PORTS ALL ARE 4" DIAMETER WITH 150# FLANGE.
 - DELETED.
 - B-512365 VENDOR WILL PERFORM FIELD JOINTS. B-512368 TO ASSIST IN RELOCATING PIPE MATERIALS TO INSTALLATION LOCATION.
 - ALL WORK TO BE INSTALLED BY GWC UNLESS OTHERWISE NOTED.
 - INSTRUMENT PROVIDED BY GWC.
 - FLUE GAS CONTROL VALVES ON DFS SIDE OF FENCE SHALL BE PROVIDED WITH LOCKS.
 - FAN DRAIN PIPES PROVIDED BY FAN VENDORS.
 - LOUVER DAMPER (1FG-Y6035) FURNISHED BY B-512370, INSTALLED BY B-512368.
 - THESE TWO BUTTERFLY VALVES ARE SEPARATED BY A FENCE.

REFERENCE DRAWINGS

074130-PID-027	FLUE GAS P&ID
----------------	---------------



ANY PRINTED COPY OF THIS DRAWING IS CONSIDERED UNVERIFIED.

REV.	DESCRIPTION	PREPARED	REVIEWED	APPROVED	DATE
F	ISSUE FOR CONSTRUCTION, SPEC B-512368	E. OSGOOD	K. LAUZZE	K. LAUZZE	07/11/2018
E	ISSUE FOR CONSTRUCTION, SPEC B-512368	E. OSGOOD	K. LAUZZE	K. LAUZZE	02/13/2017
D	FOR USE	E. OSGOOD	K. LAUZZE		12/22/2016
C	FOR USE	E. OSGOOD	K. LAUZZE		11/23/2016
B	INTERNAL COMMENT	E. OSGOOD			10/28/2016
G	FOR RECORD	E. OSGOOD			01/30/2019

PDC NUMBER	DESIGN PRESSURE (INWC)	DESIGN TEMP. (DEG. F)	MAX OPER. PRESSURE (INWC)	MAX OPER. TEMP. (DEG. F)	PIPE CLASS	PDT	INSULATION TYPE	INSTR. PIPE CLASS	INSTR. PDT
FG-1	5	330	3	235	N	DFS 0008	P	D	S&L 0654
FG-2	-35	235	3	235	D	S&L 0155	P	D	S&L 0654
FG-3	35	285	25	235	BY B-512365	P	D	S&L 0654	
FG-4	35	285	25	235	D	S&L 0155	P	D	S&L 0654

Sargent & Lundy

FILE NAME: DFS-MF-1FG-0001.DGN

CONTRACTOR/INSTALLER SHALL TAKE ALL APPROPRIATE PRECAUTIONS TO ENSURE THE SAFETY OF ALL PEOPLE LOCATED ON THE WORK SITE, INCLUDING CONTRACTOR'S/INSTALLER'S PERSONNEL (OR THAT OF ITS SUBCONTRACTOR(S)) PERFORMING THE WORK.

DRY FORK STATION
UNIT 1
13405-002

**CARBON CAPTURE TEST CENTER
PIPING AND INSTRUMENTATION DIAGRAM
FLUE GAS**

SCALE: 12" = 1'-0"
VENDOR/ORIGINATED FROM: N/A
VENDOR DRAWING NO.: N/A
BASIN DRAWING NO.: DFS-MF-1FG-0001

REVISIONS:

DESIGN BY	ESD	02/13/17
DESIGN OK	ESD	02/13/17
DATE OK	KCL	02/13/17
APPROVED	KCL	02/13/17
APPROVED	KCL	02/13/17

REVISION NO. N/A
REV. NO. N/A